



hattrick-pro

CROSSFIT-360

**THANK YOU FOR PREFERRING OUR PRODUCT.
WE HOPE YOU ENJOY IT**

This product you have already purchased in under the guarantee of the SPOR DÜNYASI. In case you have any problems with regard to installation or service, please do not hesitate to contact our technical service department by calling 0850 495 52 12.

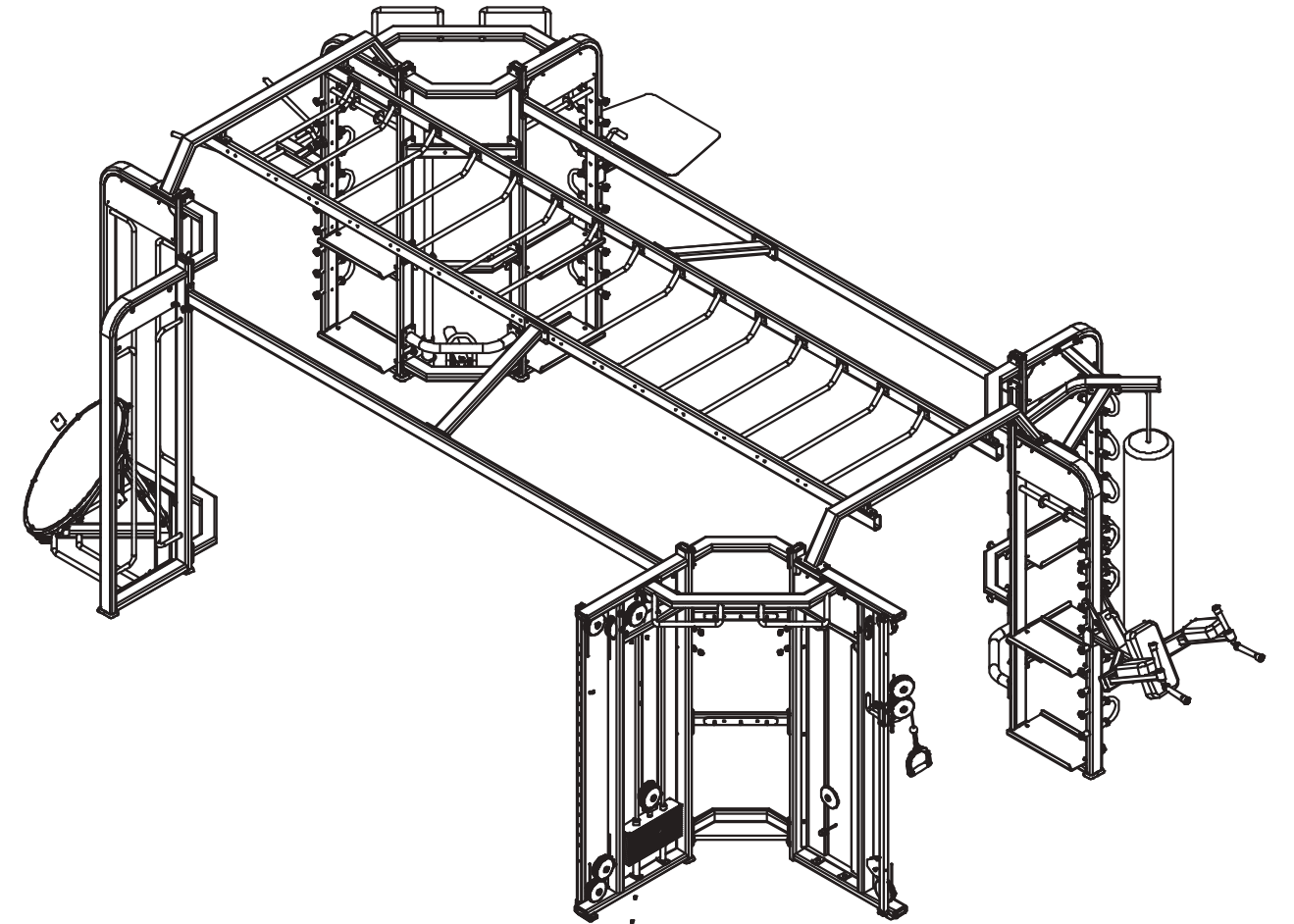
Please e-mail us at info@spordunyasi.com.tr / teknikservis@spordunyasi.com.tr for all opinions, suggestions and complaints because your opinions are valuable for Spor Dünyası family.

İthalatçı & Üretici Firma Bilgileri (Importer & Manufacturer):
SPOR DÜNYASI Dış. Tic. A.Ş.
Mahmutbey Mah. Turgut Cad. No:9 34217 Bağcılar / İSTANBUL
Tel: +90 212 446 94 94 Fax: +90 212 445 27 02
info@spordunyasi.com.tr
www.spordunyasi.com.tr



hattrick-pro

CROSSFIT-360



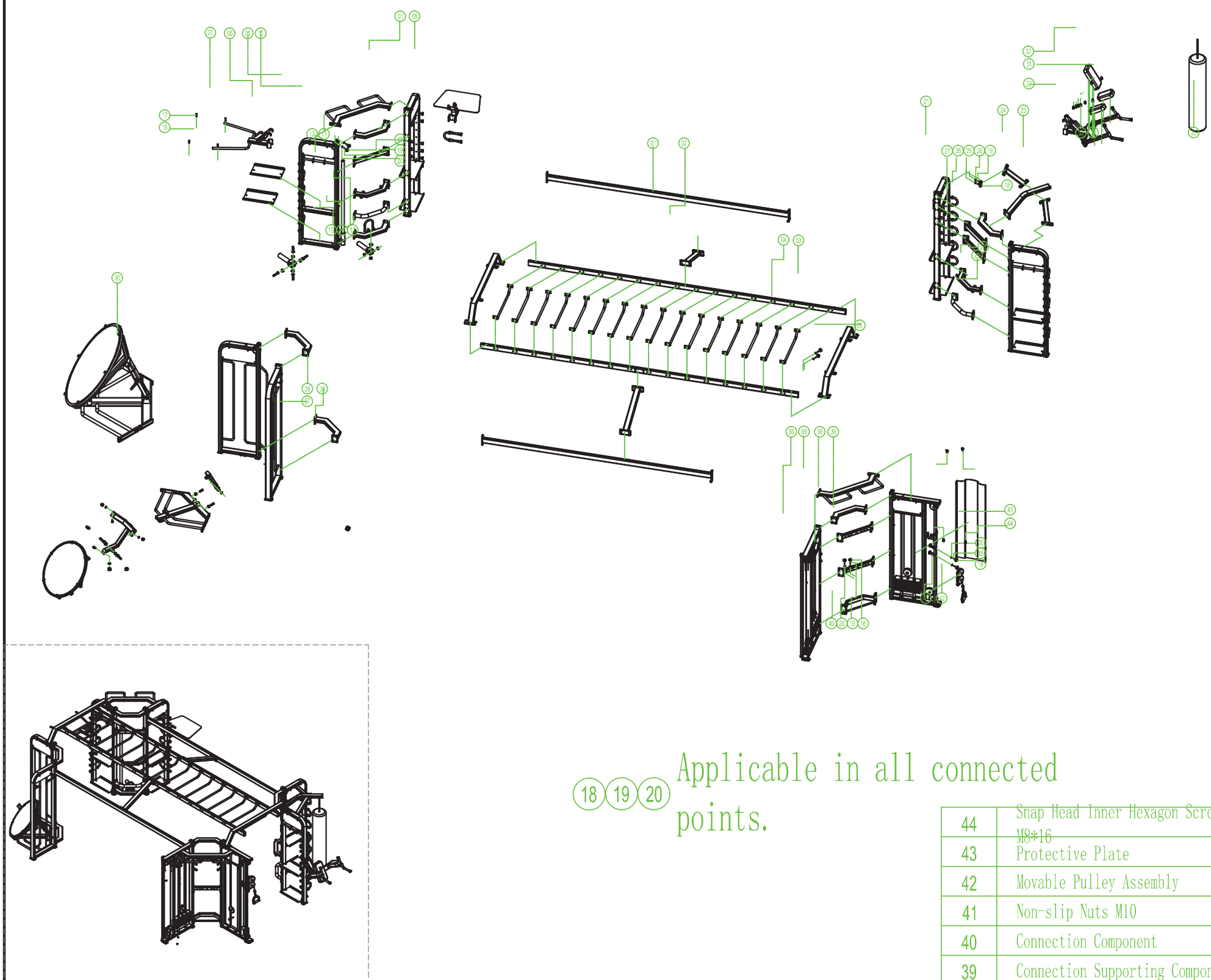
Station Multi Gym

User Manual

English

Explored Diagram CRS-FIT Crossfit Machine

Note: The detachable parts and fasteners are not displayed in the form list.



Applicable in all connected points.
⑱ ⑲ ⑳

38	Rear curved tube connection assembly	2
37	side frame component 2	2
36	side frame component	2
35	sand bag	1
34	Snap Head Inner Hexagon Screw M8*70	4
33	Snap Head Inner Hexagon Screw M8*30	4
32	backrest cushion	1
31	Elbow Cushion	2
30	Trampoline Assembly	1
29	Big Rope Fastening Assembly	1
28	Flat Rope Fastening Assembly	1
27	Connection Support Assembly	1
26	Sand Bag Rear Connection Group	1
25	Rear Curved Tube Connection Group	1
24	Sand Bag Support Assembly	1
23	Sand Bag Fastening Assembly	1
22	Vertical Knee Up	1
21	Side Frame Assembly	2
20	DQ003 Drum Spacer	150
19	Outer Hexagon Screw M12*25	142
18	S277 Cap	150
17	Countersunk Hex Socket Screws M8*16	16
16	Parcel Shelf	8
15	Sleeve Assembly	1
14	Rear Lever Component	1
13	Big Rope Fastening Component	1
12	Flat Rope Fastening Component	1
11	Connection Supporting Component	1
10	Rear Curved Tube Connecting Component	1
09	Handle Cross brace Component	1
08	Supporting Pedal Component	1
07	Supporting Component	1
06	Side Rack Component	2
05	Upper grider Supporting Component	2
04	Suspender Component	16
03	Suspender Fastening Component	2
02	Middle-connection Strengthening Component	2
01	Hand Lever Strengthening Component	2
39	Connection Supporting Component	1
No.	Name	Quantity

44	Snap Head Inner Hexagon Screw M8*16	8
43	Protective Plate	2
42	Movable Pulley Assembly	16
41	Non-slip Nuts M10	4
40	Connection Component	1